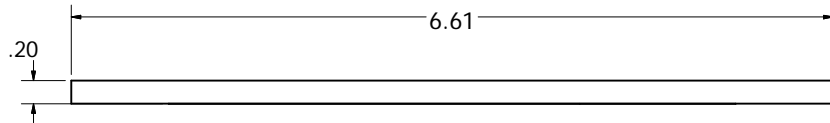
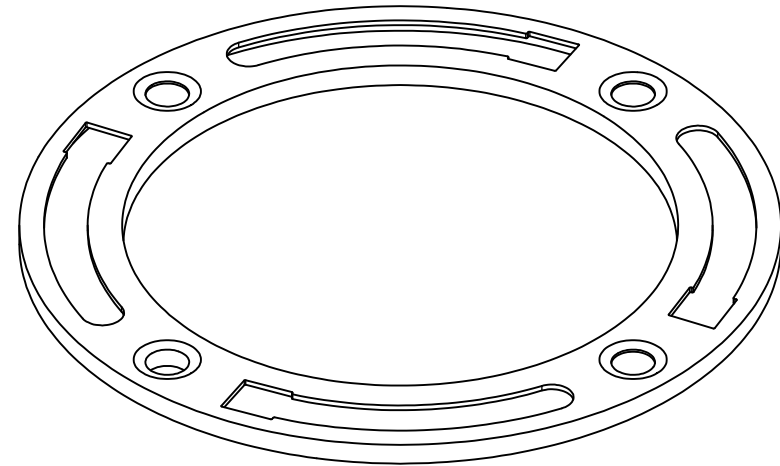
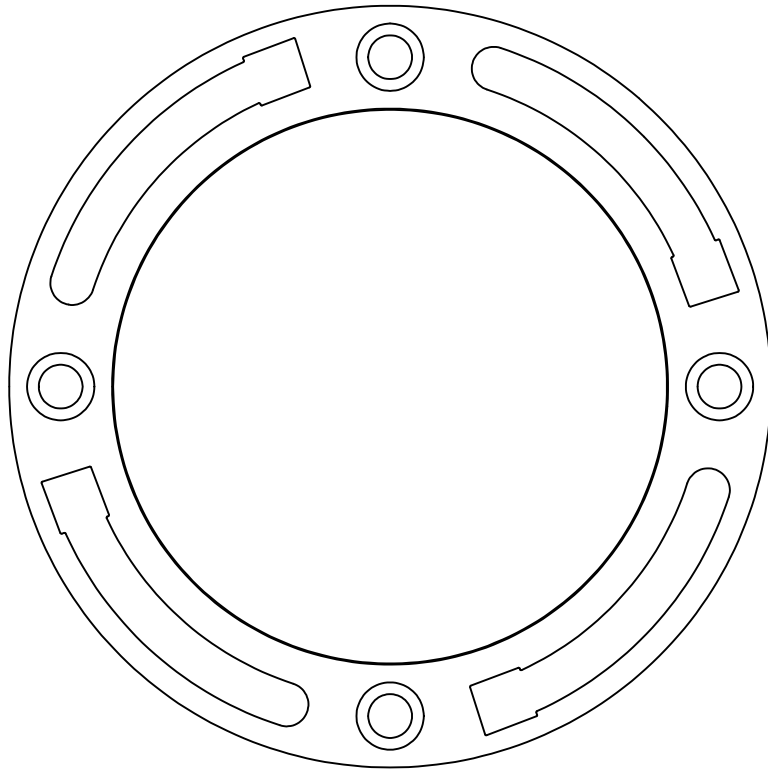


# BRASS CLOSET FLANGE



PHONE NUMBER  
1-800-355-6637

FAX NUMBER  
1-800-462-6991

SCALE 1.2 : 1      DATE 3-01-11

SHEET  
1 OF 1

DRAWN BY  
ASHLEY KRALOVEC

PART NO.	C49442				
DESCRIPTION	16 OZ.				
CTN QTY	50				